

# HM-SP610-LENS



The interchangeable lens series is often used with handheld thermal cameras to expand the focal length of the original camera to different ranges, so as to obtain different FOVs and scene scopes.

Compatible with SP40, SP40H, SP60, SP60H, SP60H-L12, SP60H-L25, SP60H-L50, SP60H-L8, SP60-L12, SP60-L12/50, SP60-L25, SP60-L50, SP60-L8, and SP60-L8/25.

## ▪ Key Feature

- FOV (Field of View): SP40/SP40H: 18.7° (H) × 14° (V) SP60/SP60H: 24.8° (H) × 18.7° (V)

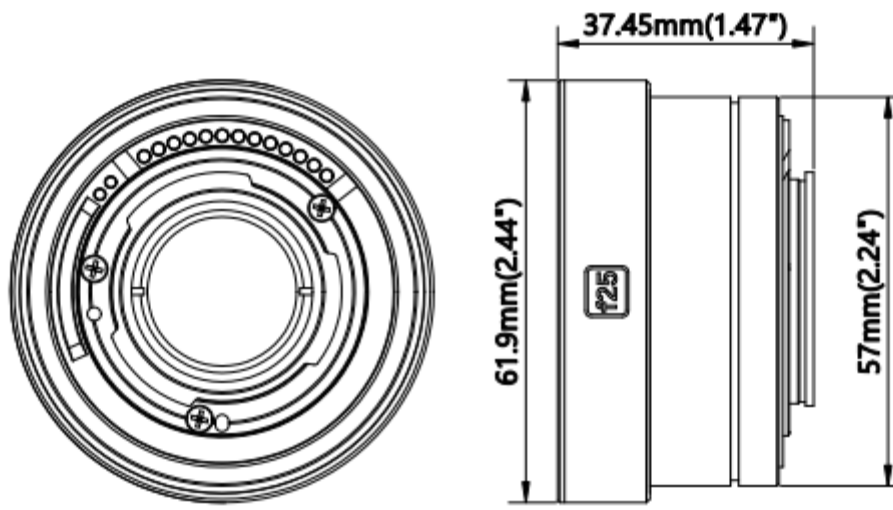
## ▪ Specification

Infrared Image	
Focal Length	25 mm (0.08 ft)
FOV (Field of View)	SP40/SP40H: 18.7° (H) × 14° (V) SP60/SP60H: 24.8° (H) × 18.7° (V)
IFOV (Spatial Resolution)	0.68 mrad
Aperture	F1.0
Min. Focusing Distance	0.2 m (0.66 ft)
General	
Working Temperature Range	-20°C to 50°C (-4°F to 122°F)
Weight	150 g (0.33 lb)
Dimension	37.5 mm × φ61.9 mm (1.47" × φ2.44")

## ▪ Ordering Model

HM-SP610-LENS

▪ Dimension



Unit: mm (Inch)